

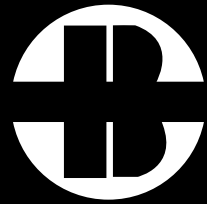
PRODUCT INFORMATION & SPECIFICATIONS

Compressor
solutions
that exceed
expectations.



Table of Contents

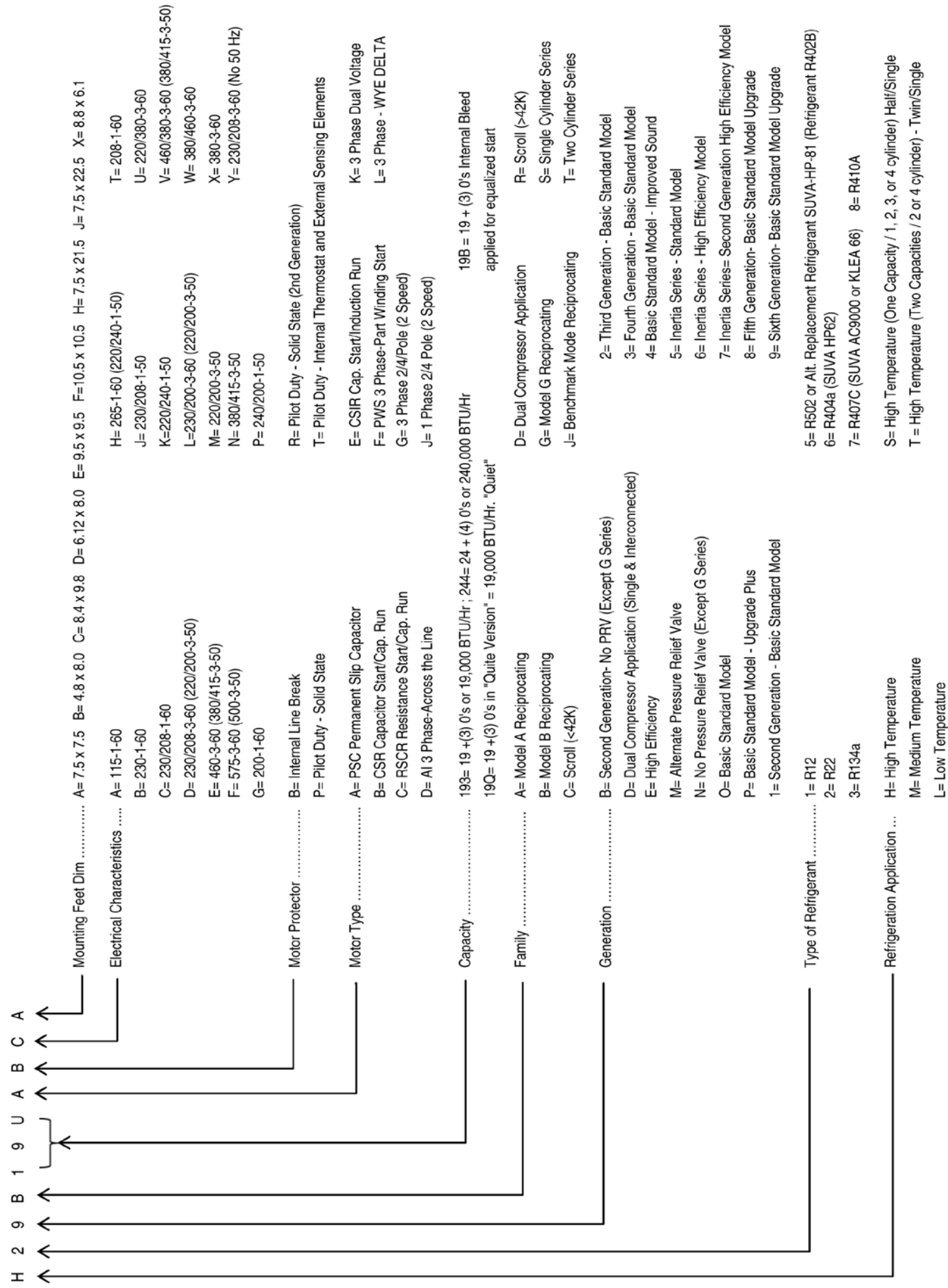
COMPRESSOR MODEL NUMBER SYSTEM - CROSS REFERENCE	5
BENCHMARK H82J	6
BENCHMARK H22J	14
H22A.....	18
BENCHMARK H20J	20
BENCHMARK H21J	22
BENCHMARK H71J	22
H29B	26
H2EB	30
H79B	32
H29A	34
H23A	38
H79A	42
H73A	44
A FAMILY DIAGRAMS	46
T89B	48
H22G	50
H75G	52
H22G	54
H2NG	55
H7BG	60
H7NG	60
D & G FAMILY DIAGRAMS	62
REFRIGERATION	
L61J.....	64
L63B	66
L63A	68
M63B	70
M63A	72
R92J.....	74
OBSOLETE MODELS	
H27BQ	80
H26BQ	80
H25BQ	82
H24BQ	84
H23B	86
H23BQ	88
H27AQ	92
H26AQ	94
H25AQ	98
H24A	100
H23AQ	102
H78A	104
H89A	106
H89B	108, 110
H81J	108
B FAMILY DIAGRAMS	110
H28A	112
T27B	114
T26A	114
T28A	114
T29A	114
T89A	116
T81J	116
TS FAMILY DIAGRAMS	116
H2BG.....	118
KICKSTART Aftermarket Start Assist	120



NOTE:

**PLEASE REFER
TO THIS
COMPRESSOR
MODEL NUMBER
SYSTEM
FOR CONVENIENT
CROSS
REFERENCE**

COMPRESSOR MODEL NUMBER SYSTEM



BENCHMARK H82J SERIES

Model	@45/130				@45/100			
	Capacity BTU/H WATTS	Motor Input WATTS	EER/COP BTU/WH W/W	EER	Capacity BTU/H	Motor Input WATTS	EER BTU/WH	
230/208 VOLTS - 1 Phase								
H82J13*ABC	13000	3808	1330	9.7	2.8421	19900	1120	17.8
H82J15*ABC	14700	4307	1480	9.9	2.9007	22700	1240	18.2
H82J18*ABC	18100	5303	1780	10.1	2.9593	26700	1440	18.6
H82J19*ABC	19000	5567	1870	10.2	2.9886	28000	1510	18.6
H82J21*ABC	21000	6153	2040	10.3	3.0179	30400	1630	18.6
H82J22*ABC	22300	6534	2170	10.3	3.0179	32300	1740	18.6
H82J24*ABC	24300	7120	2330	10.4	3.0472	34500	1840	18.7
H82J26*ABC	26200	7676	2490	10.5	3.0765	37100	1970	18.9
H82J27*ABC	27100	7940	2570	10.5	3.0765	38300	2030	18.9
H82J28*ABC	28100	8233	2680	10.5	3.0765	39900	2110	18.9
H82J29*ABC	29400	8614	2790	10.5	3.0765	41600	2200	18.9
H82J30*ABC	30400	8907	2900	10.5	3.0765	43100	2290	18.9
H82J32*ABC	31700	9288	3020	10.5	3.0765	45000	2380	18.9
H82J33*ABC	33400	9786	3190	10.4	3.0472	47400	2490	19.1
H82J35*ABC	34800	10196	3320	10.5	3.0765	49500	2580	19.1
H82J37*ABC	37600	11016	3600	10.4	3.0472	53400	2810	19
H82J40*ABC	39700	11631	3750	10.6	3.1058	55600	2930	19
H82J42*ABC	42100	12335	3950	10.7	3.1351	58200	3060	19
H82J44*ABC	44000	12891	4170	10.6	3.1058	60400	3180	19
H82J46*ABC	45800	13419	4350	10.5	3.0765	63500	3340	19



265 VOLTS - 1 Phase								
H82J153ABH	14700	4307	1530	9.6	2.8128	22700	1280	17.7
H82J183ABH	18100	5303	1810	10.0	2.93	26700	1460	18.3
H82J213ABH	21000	6153	2040	10.3	3.0179	30400	1640	18.6
H82J223ABH	22300	6534	2170	10.3	3.0179	32300	1740	18.6
H82J283ABH	28100	8233	2680	10.5	3.0765	39900	2110	18.9
H82J323ABH	32200	9434	3060	10.5	3.08	45000	2380	18.9
H82J373ABH	37400	10958	3600	10.4	3.0472	53100	2800	19

575 VOLTS - 3 Phase								
H82J213DBF	21100	6182	2050	10.3	3.0179	30500	1640	18.6
H82J223DBF	22400	6563	2170	10.3	3.0179	32500	1740	18.6
H82J263DBF	26100	7647	2480	10.5	3.08	37000	1960	18.9
H82J273DBF	26900	7881	2560	10.5	3.0765	38200	2020	18.9
H82J283DBF	28000	8204	2670	10.5	3.0765	38700	2110	18.9
H82J293DBF	29200	8555	2780	10.5	3.0765	41400	2200	18.9
H82J303DBF	30700	8995	2910	10.5	3.08	42800	2270	18.9
H82J323DBF	31600	9259	3010	10.5	3.0765	44800	2370	18.9
H82J333DBF	32900	9640	3160	10.4	3.0472	46700	2460	19
H82J353DBF	34500	10108	3300	10.5	3.0765	49000	2570	19.1
H82J373DBF	37400	10958	3600	10.4	3.0472	53100	2800	19
H82J403DBF	39600	11603	3740	10.6	3.1058	55300	2910	19
H82J423DBF	41300	12101	3890	10.6	3.1058	58100	3060	19
H82J443DBF	43300	12687	4110	10.5	3.0765	60500	3190	19
H82J463DBF	45400	13302	4270	10.6	3.11	62800	3320	18.9

230/208 VOLTS - 1 Phase								
H82J09*ABC	9000	2637	1010	8.9	2.61	14700	910	16.3
H82J48*ABC	48000	14064	4520	10.6	3.11	66400	3560	18.7
H82J50*ABC	50300	14738	4750	10.6	3.11	68500	3680	18.6

Electrical Data			Displacement		
RLA	LRA	MCC	IN ³ /REV	CM ³ /REV	
5.9	33	11	1.26	52.45	
6.5	43	13	1.363	56.71	
7.4	43	13	1.57	65.40	
8	43	14.5	1.655	68.84	
9.4	54	17.5	1.768	73.60	
9.9	54	16.6	1.862	77.52	
10.6	54	17	1.975	82.28	
11.6	74	20.5	2.097	87.36	
11.8	74	20.5	2.144	89.33	
13	74	23	2.219	92.44	
12.9	74	20	2.313	96.37	
13	88	25	2.369	98.67	
13.6	88	24.5	2.463	102.60	
14.2	84	23	2.614	108.82	
14.5	84	25	2.727	113.58	
15.7	84	24.5	2.915	121.29	
17.9	102	29	3.028	126.04	
18.3	102	27	3.116	129.64	
18.5	105	31	3.274	136.36	
20.2	105	33	3.38	140.80	

5.8	46	12.4	1.363	56.71	
6.7	46	12.6	1.57	65.40	
8	46	14	1.768	73.60	
8.5	46	14.3	1.862	77.52	
10.5	67	18	2.219	92.44	
12	67	19.8	2.463	40.37	
13.8	81	25.5	2.915	121.29	

2.6	26	6	1.768	73.60	
2.7	26	6	1.862	77.52	
2.9	28	5.5	2.097	34.37	
3	28	6	2.144	89.33	
3.1	28	6	2.219	92.44	
3.2	28	6	2.313	96.37	
3.5	28	6	2.369	38.83	
3.5	28	6	2.463	102.60	
3.9	36	6.1	2.614	108.83	
4	36	7.5	2.727	113.58	
4.4	36	7	2.915	121.29	
4.4	36	5.5	3.028	126.04	
4.6	36	7.3	3.116	129.64	
4.7	36	6.8	3.274	136.36	
5.1	36	7.5	3.38	55.40	

4.5	45	10.6	0.947	15.52	
21.4	130	35.6	3.519	57.68	
22.5	130	36	3.669	60.13	

60 HZ

Model	Oil Charge OZ L	Weight				ELECTRICAL START COMPONENTS			DIMENSIONS *DIAGRAMS FOUND ON PAGE 13						
		Net Lbs	Net Kg	Ship Lbs	Ship Kg	Run Capacitor MFD/VOLTS	Start Capacitor MFD/VOLTS	G.E. Relay	A		B		C		
									IN	MM	IN	MM	IN	MM	
H82J13*ABC	30	1	58.5	26.5	62	28	30/370	145-175/370	3ARR3*3T*	11.735	298.07	14.25	361.95	14.531	369.09
H82J15*ABC	30	1	58.5	26.5	62	28	30/370	145-175/330	3ARR3*3T*	11.735	298.07	14.25	361.95	14.531	369.09
H82J18*ABC	30	1	58.5	26.5	62	28	35/370	145-175/330	3ARR3*3T*	11.735	298.07	14.25	361.95	14.531	369.09
H82J19*ABC	30	1	58.5	26.5	62	28	35/370	145-175/330	3ARR3*3T*	11.735	298.07	14.25	361.95	14.531	369.09
H82J21*ABC	30	1	61	28	64.5	29	35/370	145-175/330	3ARR3*3N*	12.235	310.77	14.75	374.65	15.031	381.79
H82J22*ABC	30	1	61	28	64.5	29	35/370	145-175/330	3ARR3*3N*	12.235	310.77	14.75	374.65	15.031	381.79
H82J24*ABC	40	1.2	61.5	28	65	29	35/370	145-175/330	3ARR3*3N*	12.235	310.77	14.75	374.65	15.031	381.79
H82J26*ABC	40	1.2	69	31	72.5	33	40/370	189-227/250	3ARR3*3L*	12.235	310.77	14.75	374.65	15.031	381.79
H82J27*ABC	40	1.2	69	31	72.5	33	40/370	189-227/250	3ARR3*3L*	12.235	310.77	14.75	374.65	15.031	381.79
H82J28*ABC	40	1.2	69	31	72.5	33	40/370	189-227/250	3ARR3*3L*	12.235	310.77	14.75	374.65	15.031	381.79
H82J29*ABC	40	1.2	69	31	72.5	33	40/370	189-227/250	3ARR3*3L*	12.235	310.77	14.75	374.65	15.031	381.79
H82J30*ABC	40	1.2	71	32	74.5	33	45/370	189-227/250	3ARR3*3S*	12.485	317.12	15.00	381.00	15.281	388.14
H82J32*ABC	40	1.2	71	32	74.5	33	45/370	189-227/250	3ARR3*3S*	12.485	317.12	15.00	381.00	15.281	388.14
H82J33*ABC	40	1.2	88.5	40	91.5	42	40/440	189-227/250	3ARR3*3S*	14.063	357.2	15.594	396.09	15.875	403.23
H82J35*ABC	40	1.2	88.5	40	91.5	42	40/440	189-227/250	3ARR3*3S*	14.063	357.2	15.594	396.09	15.875	403.23
H82J37*ABC	40	1.2	88.5	40	91.5	42	45/440	189-227/250	3ARR3*3S*	14.063	357.2	15.594	396.09	15.875	403.23
H82J40*ABC	40	1.2	88.5	40	91.5	42	55/370	189-227/250	3ARR3*3S*	14.063	357.2	15.594	396.09	15.875	403.23
H82J42*ABC	40	1.2	88.5	40	91.5	42	60/370	216-259/330	3ARR3*3S*	14.063	357.2	15.594	396.09	15.875	403.23
H82J44*ABC	40	1.2	88.5	40	91.5	42	60/370	216-259/330	3ARR3*3S*	14.063	357.2	15.594	396.09	15.875	403.23
H82J46*ABC	40	1.2	88.5	40	91.5	42	60/370	216-259/330	3ARR3*3S*	14.063	357.2	15.594	396.09	15.875	403.23

H82J153ABH	30	1	63.5	29	67	30	30/440	145-175/330	3ARR3*3V*	11.735	298.07	14.25	361.95	14.531	369.09
H82J183ABH	30	1	63.5	29	67	30	30/440	145-175/330	3ARR3*3V*	11.735	298.07	14.25	361.95	14.531	369.09
H82J213ABH	30	1	63.5	29	67	30	30/440	145-175/330	3ARR3*3V*	11.735	298.07	14.25	361.95	14.531	369.09
H82J223ABH	30	1	63.5	29	67	30	30/440	145-175/330	3ARR3*3V*	11.735	298.07	14.25	361.95	14.531	369.09
H82J283ABH	40	1.2	69	31	72.5	33	35/440	145-175/330	3ARR3*3R*	12.235	310.77	14.75	374.65	15.031	381.79
H82J323ABH	40	1.2	69	31.3	72.5	32.9	35/370	145-175/330	N/A	12.2	309.88	14.80	375.92	15.031	381.79
H82J373ABH	40	1.2	88.5	40	91.5	42	50/370	161-193/250	3AN	14.06	357.20	15.59	396.09	15.875	403.23

H82J213DBF	30	1	62.5	29	66
------------	----	---	------	----	----

BENCHMARK H82J SERIES

Model	@45/130				@45/100			
	Capacity	Motor Input	EER/COP	W/W	Capacity	Motor Input	EER	BTU/WH
	BTU/H WATTS	WATTS			BTU/H	WATTS		
230/208 VOLTS - 1 Phase								
H82J183DBL	15300	4508	1570	9.8	2.8714	22000	1240	17.8
H82J193DBL	16400	4815	1660	9.9	2.9007	23600	1310	18
H82J213DBL	17700	5157	1760	10	2.93	25500	1400	18.3
H82J223DBL	18800	5479	1870	10	2.93	27000	1480	18.2
H82J263DBL	22300	6519	2160	10.3	3.0179	31300	1680	18.7
H82J273DBL	22800	6673	2190	10.4	3.0472	31800	1700	18.7
H82J283DBL	23800	6948	2280	10.4	3.0472	33300	1770	18.8
H82J293DBL	25100	7313	2400	10.4	3.0472	35100	1860	18.8
H82J323DBL	27000	7907	2570	10.5	3.0765	37700	2000	18.9
H82J333DBL	28400	8345	2820	10.1	2.9593	40300	2190	18.4
H82J353DBL	29700	8727	2920	10.2	2.9886	42100	2270	18.5
H82J373DBL	32700	9564	3200	10.2	2.9886	46400	2490	18.6
H82J403DBL	33600	9876	3210	10.5	3.0765	47000	2510	18.8

220/240 VOLTS - 1 Phase

H82J153ABH	12100	3542	1300	9.3	2.7249	17900	1020	17.6
H82J183ABH	14900	4360	1550	9.6	2.8128	21900	1210	18.1
H82J213ABH	17500	5144	1810	9.7	2.8421	25800	1410	18.3
H82J223ABH	18900	5514	1940	9.7	2.8421	27800	1510	18.3
H82J283ABH	23900	7003	2310	10.3	3.02	33400	1790	18.7
H82J323ABH	27000	7911	2590	10.4	3.05	37800	2000	18.8
H82J373ABH	31200	9111	2990	10.4	3.0472	44300	2330	19

BENCHMARK H82J SERIES

230 VOLTS - 3 Phase

H82J193DBL	19000	5563	1880	10.1	2.9593	28200	1520	18.6
H82J213DBL	21100	6187	2050	10.3	3.0179	30500	1640	18.6
H82J223DBL	22400	6549	2170	10.3	3.0179	32500	1740	18.6
H82J263DBL	26100	7630	2480	10.5	3.0765	37000	1960	18.9
H82J273DBL	26900	7876	2560	10.5	3.0765	38200	2020	18.9
H82J283DBL	28000	8214	2670	10.5	3.0765	39700	2110	18.9
H82J293DBL	29200	8553	2780	10.5	3.0765	41400	2200	18.9
H82J323DBL	31600	9260	3010	10.5	3.0765	44800	2370	18.9
H82J333DBL	32900	9629	3160	10.4	3.0472	46700	2460	19
H82J353DBL	34500	10152	3300	10.5	3.0765	49000	2570	19.1
H82J373DBL	37400	10970	3600	10.4	3.0472	53100	2800	19
H82J403DBL	39600	11616	3740	10.6	3.1058	55300	2910	19

BENCHMARK H82J SERIES

220/200 VOLTS - 3 Phase

H82J303DBL	25600	7501	2460	10.4	3.05	35900	1910	18.8
H82J423DBL	35800	10489	3370	10.6	3.11	48700	2580	18.9
H82J443DBL	37600	11017	3630	10.4	3.05	51600	2740	18.8
H82J463DBL	39400	11544	3800	10.4	3.05	53600	2840	18.8

*Data Subject to Revision



BENCHMARK
COMPRESSION SOLUTIONS

Electrical Data			Displacement		
RLA	LRA	MCC	IN ³ /REV	CM ³ /REV	
6.7	71	13	1.57	65.40	
6.7	71	13	1.655	68.84	
6.9	71	13	1.768	73.60	
7.3	71	15	1.862	77.52	
7.5	70	13	2.097	87.36	
7.6	70	13.5	2.144	89.33	
7.9	70	14.5	2.219	92.44	
8.2	70	14.5	2.313	96.37	
8.6	70	15	2.463	102.60	
11.1	88	17	2.614	108.82	
11.2	90	18	2.727	113.58	
11.7	90	17.5	2.915	121.29	
12	90	19.2	3.028	126.04	

6.2	48	12.1	1.363	56.71	
7.4	48	12	1.57	65.40	
8.6	48	14	1.768	73.60	
9.4	48	15	1.862	77.52	
11.2	64	17.9	2.219	36.37	
12.8	64	18.9	2.463	40.37	
5.1	80	23.1	2.915	121.29	

6.1	63	13	1.655	68.84	
6.6	63	13.5	1.768	73.60	
6.9	63	12.7	1.862	77.52	
7.4	68	13.5	2.097	87.36	
7.7	68	13.5	2.144	89.33	
7.8	68	14.2	2.219	92.44	
8.3	68	14.5	2.313	96.37	
8.8	68	14.5	2.463	102.60	
10	88	16.5	2.614	108.83	
10.2	88	18.5	2.727	113.58	
11	88	17.5	2.915	121.29	
11.3	88	19	3.028	126.04	

8.3	70	14.7	2.369	38.83	
12.7	90	17	3.116	51.07	
13.1	92	21.6	3.274	53.66	
13.1	92	21.1	3.38	55.40	

50 HZ

Model	Oil Charge	OZ	L	Weight				ELECTRICAL START COMPONENTS			DIMENSIONS					
				Net		Ship		Run Capacitor	Start Capacitor	G.E. Relay	*DIAGRAMS FOUND ON PAGE 13					
				Lbs	Kg	Lbs	Kg				MFD/VOLTS	MFD/VOLTS	IN	MM	IN	MM
230/208 VOLTS - 1 Phase																
H82J183DBL	30	1	62.5	29	66	29	N/A	N/A	N/A	11.735	298.07	14.25	361.95	14.531	369.09	
H82J193DBL	30	1	62.5	29	66	29	N/A	N/A	N/A	11.735	298.07	14.25	361.95	14.531	369.09	
H82J213DBL	30	1	62.5	29	66	29	N/A	N/A	N/A	11.735	298.07	14.25	361.95	14.531	369.09	
H82J223DBL	30	1	62.5	29	66	29	N/A	N/A	N/A	11.735	298.07	14.25	361.95	14.531	369.09	
H82J263DBL	40	1.2	68.5	31	72	33	N/A	N/A	N/A	11.735	298.07	14.25	361.95	14.531	369.09	
H82J273DBL	40	1.2	68.5	31	72	33	N/A	N/A	N/A	12.485	317.12	15	381	15.281	388.14	
H82J283DBL	40	1.2	68.5	31	72	33	N/A	N/A	N/A	12.485	317.12	15	381	15.281	388.14	
H82J293DBL	40	1.2	68.5	31	72	33	N/A	N/A	N/A	12.485	317.12	15	381	15.281	388.14	
H82J323DBL	40	1.2	68.5	31	72	33	N/A	N/A	N/A	12.485	317.12	15	381	15.281	388.14	
H82J333DBL	40	1.2	85.5	39	88.5	40	N/A	N/A	N/A	14.063	357.2	15.594	366.09	15.875	403.23	
H82J353DBL	40	1.2	81.5	37	84.5	38	N/A	N/A	N/A	14.063	357.2	15.594	366.09	15.875	403.23	
H82J373DBL	40	1.2	85.5	39	88.5	40	N/A	N/A	N/A	14.063	357.2	15.594	366.09	15.875	403.23	
H82J403DBL	40	1.2	85.5	39	88.5	40	N/A	N/A	N/A	14.063	357.2	15.594	366.09	15.875	403.23	

H82J153ABH	30	1	63.5	29	67	30	35/370	145-175/250	3ARR3*3AP*	11.735	298.07	14.25	361.95	14.531	369.09
H82J183ABH	30	1	63.5	29	67	30	35/370	145-175/250	3ARR3*3AP*	11.735	298.07	14.25	361.95	14.531	369.09
H82J213ABH	30	1	63.5	29	67	30	35/370	145-175/250	3ARR3*3AP*	11.735	298.07	14.25	361.95	14.531	369.09
H82J223ABH	30	1	63.5	29	67	30	35/370	145-175/250	3ARR3*3AP*	11.735	298.07	14.25	361.95	14.531	369.09
H82J283ABH	40	1.2	69	31.3	72.5	32.9	45/370	163-193/250	3ARR3*3AM*	12.2	309.88	14.8	375.92	15	381
H82J323ABH	40	1.2	69	31.3	72.5	32.9	55/370	163-193/250	3ARR3*3AM*	12.2	309.88	14.8	375.92	15	381
H82J373ABH	40	1.2	88.5	39	91.5	42	50/370	161-193/250	3ARR3*3AN*	14.063	357.2	15.594	366.09	15.875	403.23

50 HZ

H82J193DBL	30	1	62.5	29	66	29	N/A	N/A	N/A	14.531	369.09	14.25	361.95	11.735	298.07
H82J213DBL	30	1	62.5	29	66	29	N/A	N/A	N/A	11.735	298.07	14.25	361.95	14.531	369.09
H82J223DBL	30	1	62.5	29	66	29	N/A	N/A	N/A	11.735	298.07	14.25	361.95	14.531	369.09
H82J263DBL	30	1	68.5	31	72	33	N/A	N/A	N/A	11.735	298.07	14.25	361.95	14.531	369.09
H82J273DBL	40	1.2	68.5	31	72	33	N/A	N/A	N/A	12.485	317.12	15	381	15.281	388.14
H82J283DBL	40	1.2	68.5	31	72	33	N/A	N/A	N/A	12.485	317.12	15	381	15.281	388.14
H82J293DBL	40	1.2	68.5	31	72	33	N/A	N/A	N/A	12.485	317.12	15	381	15.281	388.14
H82J323DBL	40	1.2	68.5	31	72	33	N/A	N/A	N/A	12.485	317.12	15	381	15.281	388.14
H82J333DBL	40	1.2	85.5	39	88.5	40	N/A	N/A	N/A	12.485	317.12	15	381	15.281	388.14
H82J353DBL	40	1.2	81.5	37	84.5	38	N/A	N/A	N/A	14.063	357.2	15.594	366.09	15.875	403.23
H82J373DBL	40	1.2	85.5	39	88.5	40	N/A	N/A	N/A	14.063	357.2	15.594	366.09	15.875	403.23
H82J403DBL	40	1.2	85.5	39	88.5	40	N/A	N/A	N/A	14.063	357.2	15.594	366.09	15.875	403.23

60 HZ

H82J303DBL	40	1.2	68.5	31.1	72	32.7	N/A	N/A	N/A	12.5	317.5	15	381	15.281	388.62
H82J423DBL	40	1.2	81.5	37.0	84.5	38.3	N/A	N/A	N/A	14	355.6	15.6	396.24	15.875	403.86
H82J443DBL	40	1.2	81.5	37.0	84.5	38.3	N/A	N/A	N/A	14	355.6	15.6	396.24	15.875	403.86
H82J463DBL	40	1.2	81.5	37.0	84.5	38.3	N/A	N/A	N/A	14	355.6	15.6	396.24	15.875	403.8

BENCHMARK H82J SERIES

Model	@45/130						@45/100			Electrical Data			Displacement		
	Capacity		Motor	EER/COP		Capacity	Motor	EER	RLA	LRA	MCC	IN ³ /REV	CM ³ /REV		
	BTU/H	WATTS	WATTS	BTU/WH	W/W	BTU/H	WATTS	BTU/WH						IN	MM
380/415 VOLTS - 3 Phase															
H82J183DBV	15300	4508	1570	9.8	2.8714	22000	1240	17.8	3	30	7	1.57	65.40		
H82J193DBV	16400	4805	1660	9.9	2.90	23600	1310	18	3.1	30	7	1.655	27.13		
H82J213DBV	17700	5157	1760	10	2.93	25500	1400	18.3	3.3	30	7	1.768	73.60		
H82J223DBV	18800	5479	1870	10	2.93	27000	1480	18.2	3.6	30	7.5	1.862	77.52		
H82J263DBV	22300	6519	2160	10.3	3.0179	31300	1680	18.7	3.9	35	7	2.097	87.36		
H82J273DBV	22800	6673	2190	10.4	3.0472	31800	1700	18.7	3.9	35	7	2.144	89.33		
H82J283DBV	23800	6948	2280	10.4	3.0472	33300	1770	18.8	4	35	7	2.219	92.44		
H82J293DBV	25100	7313	2400	10.4	3.0472	35100	1860	18.8	4.2	35	7	2.313	96.37		
H82J303DBV	25600	7501	2460	10.4	3.05	35900	1910	18.8	4.3	33	7.4	2.369	38.83		
H82J323DBV	27000	7907	2570	10.5	3.0765	37700	2000	18.9	4.5	35	7.5	2.463	102.60		
H82J333DBV	28400	8345	2820	10.1	2.9593	40300	2190	18.4	5.1	44	7.1	2.614	108.82		
H82J353DBV	29700	8727	2920	10.2	2.9886	42100	2720	18.5	5.3	44	8.1	2.727	113.58		
H82J373DBV	32700	9564	3200	10.2	2.9886	46400	2490	18.6	5.8	44	8.5	2.915	121.29		
H82J403DBV	33600	9876	3210	10.5	3.0765	47000	2510	18.8	5.7	44	8.8	3.028	126.04		
H82J423DBV	35800	10489	3370	10.6	3.11	48700	2580	18.9	6	45	10.1	3.116	51.07		
H82J443DBV	37600	11017	3630	10.4	3.05	51600	2740	18.8	6.4	45	10.1	3.274	53.66		
H82J463DBV	39400	11544	3800	10.4	3.05	53600	2840	18.8	6.9	54	11.1	3.38	55.40		



BENCHMARK
COMPRESSION SOLUTIONS

50 HZ

Model	Oil Charge		Weight				ELECTRICAL START COMPONENTS			DIMENSIONS					
	OZ	L	Net	Ship	Lbs	Kg	Run Capacitor	Start Capacitor	G.E. Relay	*DIAGRAMS FOUND ON PAGE 13					
							MFD/VOLTS	MFD/VOLTS		A	B	C	IN	MM	IN
H82J183DBV	30	1	62.5	29	66	29	N/A	N/A	N/A	11.735	298.07	14.25	361.95	14.531	369.09
H82J193DBV	30	1	62.5	28.3	66	29.9	N/A	N/A	N/A	11.7	297.18	14.3	363.22	14.5	368.30
H82J213DBV	30	1	62.5	29	66	29	N/A	N/A	N/A	11.735	298.07	14.25	361.95	14.531	369.09
H82J223DBV	30	1	62.5	29	66	29	N/A	N/A	N/A	11.735	298.07	14.25	361.95	14.531	369.09
H82J263DBV	40	1.2	68.5	31	72	33	N/A	N/A	N/A	12.485	317.12	15	381	15.281	388.14
H82J273DBV	40	1.2	68.5	31	72	33	N/A	N/A	N/A	12.485	317.12	15	381	15.281	388.14
H82J283DBV	40	1.2	68.5	31	72	33	N/A	N/A	N/A	12.485	317.12	15	381	15.281	388.14
H82J293DBV	40	1.2	68.5	31	72	33	N/A	N/A	N/A	12.485	317.12	15	381	15.281	388.14
H82J303DBV	40	1.2	68.5	31.1	72	32.7	N/A	N/A	N/A	12.5	317.5	15	381	15.281	388.62
H82J323DBV	40	1.2	68.5	31	72	33	N/A	N/A	N/A	12.485	317.12	15	381	15.281	388.14
H82J333DBV	40	1.2	68.5	31	72	33	N/A	N/A	N/A	14.063	357.2	15.594	366.09	15.875	403.23
H82J353DBV	40	1.2	85.5	39	88.5	40	N/A	N/A	N/A	14.063	357.2	15.594	366.09	15.875	403.23
H82J373DBV	40	1.2	85.5	39	88.5	40	N/A	N/A	N/A	14.063	357.2	15.594	366.09	15.875	403.23
H82J403DBV	40	1.2	85.5	39	88.5	40	N/A	N/A	N/A	14.063	357.2	15.594	366.09	15.875	403.23
H82J423DBV	40	1.2	81.5	37.0	84.5	38.3	N/A	N/A	N/A	14.1	358.14	15.6	396.24	15.875	403.23
H82J443DBV	40	1.2	81.5	37.0	84.5	38.3	N/A	N/A	N/A	14.1	358.14	15.6	396.24	15.875	403.23
H82J463DBV	40	1.2	83.5	37.9	86.5	39.2	N/A	N/A	N/A	14.3	363.22	15.8	401.32	16.1	408.94

BENCHMARK H82J SERIES

460 VOLTS - 3 Phase															
Model	Capacity	Motor	EER/COP	Capacity	Motor	EER	RLA	LRA	MCC	IN ³ /REV	CM ³ /REV				
	BTU/H	WATTS	BTU/WH	W/W	BTU/H	WATTS						IN	MM	IN	MM
H82J183DBV	18100	5297	1790	10.1	2.9593	26800	1450	18.6	2.9	30	6	1.57	65.40		
H82J193DBV	19000	5563	1880	10.1	2.9593	28200	1520	18.6	3.1	30	6	1.655	68.84		
H82J213DBV	21100	6187	2050	10.3	3.0179	30500	1640	18.6	3.2	30	6.4	1.768	73.60		
H82J223DBV	22400	6549	2170	10.3	3.0179	32500	1740	18.6	3.6	30	6.5	1.862	77.52		
H82J263DBV	26100	7630	2480	10.5	3.0765	37000	1960	18.9	3.8	34	7.1	2.097	87.36		
H82J273DBV	26900	7876	2560	10.5	3.0765	38200	2020	18.9	3.7	34	7	2.144	89.33		
H82J283DBV	28000	8214	2670	10.5	3.0765	39700	2110	18.9	3.9	34	7	2.219	92.44		
H82J293DBV	29220	8553	2780	10.5	3.0765	41400	2200	18.9	4.1	34	7.6	2.313	96.37		
H82J323DBV	31600	9260	3010	10.5	3.0765	44800	2370	18.9	4.4	34	8	2.463	102.60		
H82J333DBV	32900	9629	3160	10.4	3.0472	46700	2460	19	5	44	7.1	2.614	108.82		
H82J353DBV	34500	10152	3300	10.5	3.0765	49000	2570	19.1	5.1	44	8.1	2.727	113.58		
H82J373DBV	37400	10970	3600	10.4	3.0472	53100	2800	19	5.6	44	8	2.915	121.29		
H82J403DBV	39600	11616	3740	10.6	3.1058	55300	2910	19	5.5	44	9	3.028	126.04		

*Data Subject to Revision

60 HZ

Model	Oil Charge		Weight				ELECTRICAL START COMPONENTS			DIMENSIONS					
	OZ	L	Net	Ship	Lbs	Kg	Run Capacitor	Start Capacitor	G.E. Relay	*DIAGRAMS FOUND ON PAGE 13					
							MFD/VOLTS	MFD/VOLTS		A	B	C	IN	MM	IN
H82J183DBV	30	1	62.5	29	66	29	N/A	N/A	N/A	11.735	298.07	14.25	361.95	14.531	369.09
H82J193DBV	30	1	62.5	29	66	29	N/A	N/A	N/A	11.735	298.07	14.25	361.95	14.531	369.09
H82J213DBV	30	1	62.5	29	66	29	N/A	N/A	N/A	11.735	298.07	14.25	361.95	14.531	369.09
H82J223DBV	30	1	62.5	29	66	29	N/A	N/A	N/A	11.735	298.07	14.25	361.95	14.531	369.09
H82J263DBV	40	1.2	68.5	31	72	33	N/A	N/A	N/A	12.485	317.12	15	381	15.281	388.14
H82J273DBV	40	1.2	68.5	31	72	33	N/A	N/A	N/A	12.485	317.12	15	381	15.281	388.14
H82J283DBV	40	1.2	68.5	31	72	33	N/A	N/A	N/A	12.485	317.12	15	381	15.281	388.14
H82J293DBV	40	1.2	68.5	31	72	33	N/A	N/A	N/A	12.485	317.12	15	381	15.281	388.14
H82J323DBV	40	1.2	68.5	31	72	33	N/A	N/A	N/A	12.485	317.12	15	381	15.281	388.14
H82J333DBV	40	1.2	85.5	39	88.5	40	N/A	N/A	N/A	14.063	357.2	15.594	366.09	15.875	403.23
H82J353DBV	40	1.2	85.5	39	88.5	40	N/A	N/A	N/A	14.063	357.2	15.594	366.09	15.875	403.23
H82J373DBV	40	1.2	85.5	39	88.5	40	N/A	N/A	N/A	14.063	357.2	15.594	366.09	15.875	403.23
H82J403DBV	40	1.2	85.5	39	88.5	40	N/A	N/A	N/A	14.063	357.2	15.594	366.09	15.875	403.23

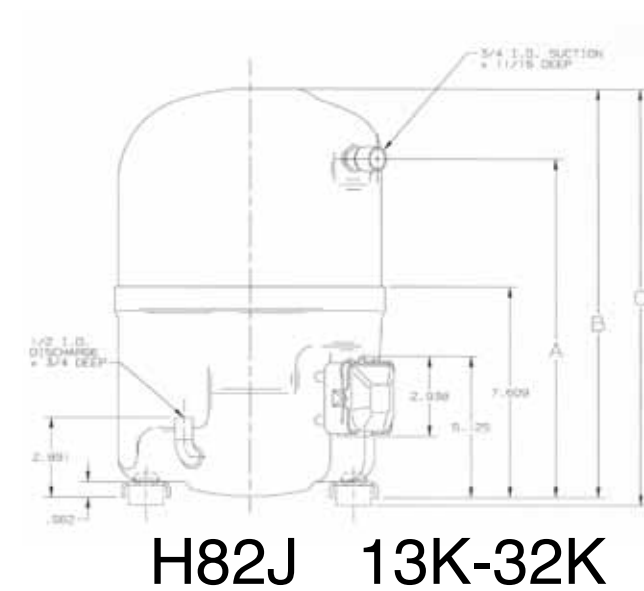
BENCHMARK H82J SERIES

Model	@45/130					@45/100			Electrical Data			Displacement	
	Capacity		Motor Input	EER/COP		Capacity	Motor Input	EER	RLA	LRA	MCC	IN ³ /REV	CM ³ /REV
	BTU/H	WATTS	WATTS	BTU/WH	W/W	BTU/H	WATTS	BTU/WH					
230/200 VOLTS - 3 Phase													
H82J193DBV	16400	4805	1660	9.9	2.90	23600	1310	18	3.1	30	7	1.655	27.13
H82J303DBV	25600	7501	2460	10.4	3.05	35900	1910	18.8	4.3	33	7.4	2.369	38.83
H82J423DBV	35800	10489	3370	10.6	3.11	48700	2580	18.9	6	45	10.1	3.116	51.07
H82J443DBV	37600	11017	3630	10.4	3.05	51600	2740	18.8	6.4	45	10.1	3.274	53.66
H82J463DBV	39400	11544	3800	10.4	3.05	53600	2840	18.8	6.9	54	11.1	3.38	55.40
460/380 VOLTS - 3 Phase													
H82J303DBV	30700	8995	2910	10.5	3.08	42800	2270	18.9	4.2	34	7.7	2.369	38.83
H82J423DBV	41300	12101	3920	10.5	3.08	58500	3090	18.9	5.9	44	11	3.116	51.10
H82J443DBV	43300	12687	4110	10.5	3.08	60500	3190	19	6.1	44	11	3.274	53.66
H82J463DBV	45400	13302	4270	10.6	3.11	62800	3320	18.9	6.7	55	12	3.38	55.40

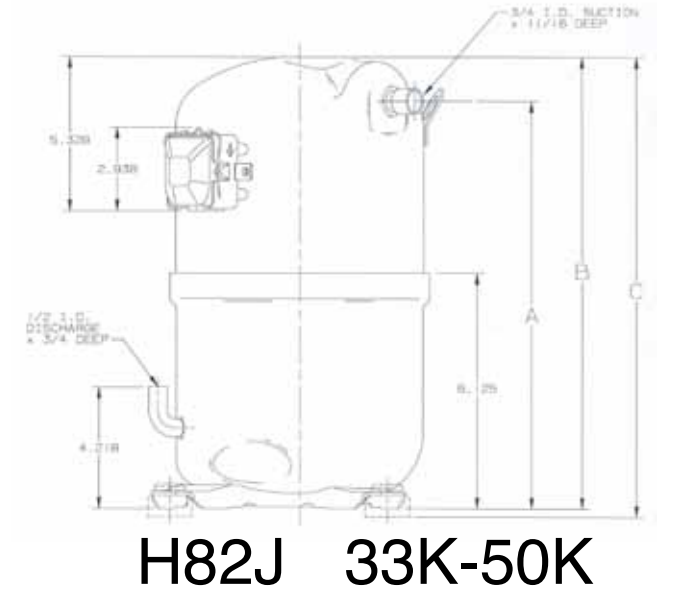
*Data Subject to Revision

60 HZ

Model	Oil Charge		Weight				ELECTRICAL START COMPONENTS			DIMENSIONS					
	OZ	L	Net	Ship			Run Capacitor	Start Capacitor	G.E. Relay	*DIAGRAMS FOUND ON PAGE 13					
			Lbs	Kg	Lbs	Kg	MFD/VOLTS	MFD/VOLTS		A	B	C			
H82J193DBV	30	1.0	62.5	28.3	66	29.9	N/A	N/A	N/A	11.7	297.18	14.3	363.22	14.5	368.3
H82J303DBV	40	1.2	68.5	31.1	72	32.7	N/A	N/A	N/A	12.5	317.5	15	381	15.3	388.62
H82J423DBV	40	1.2	81.5	37.0	84.5	38.3	N/A	N/A	N/A	14.1	358.14	15.6	396.24	15.9	403.86
H82J443DBV	40	1.2	81.5	37.0	84.5	38.3	N/A	N/A	N/A	14.1	358.14	15.6	396.24	15.9	403.86
H82J463DBV	40	1.2	83.5	37.9	86.5	39.2	N/A	N/A	N/A	14.3	363.22	15.8	401.32	16.1	408.94
H82J303DBV	40	1.2	68.5	31.1	72	32.7	N/A	N/A	N/A	12.5	317.5	15	381	15.3	388.62
H82J423DBV	40	1.2	81.5	37.0	84.5	38.3	N/A	N/A	N/A	14	355.6	15.6	396.24	15.9	403.86
H82J443DBV	40	1.2	81.5	37.0	84.5	38.3	N/A	N/A	N/A	14	355.6	15.6	396.24	15.9	403.86
H82J463DBV	40	1.2	81.5	37.0	84.5	38.3	N/A	N/A	N/A	14.3	363.22	15.8	401.32	16.1	408.94



H82J 13K-32K



H82J 33K-50K